

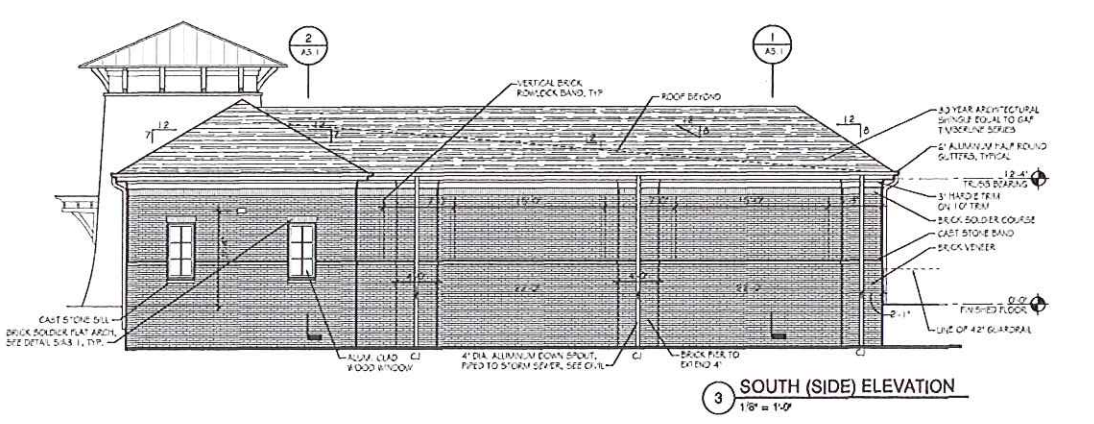
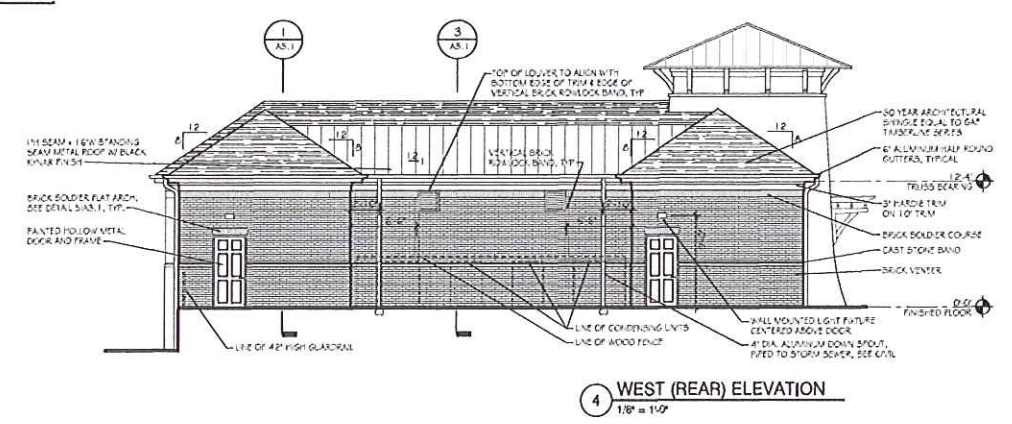
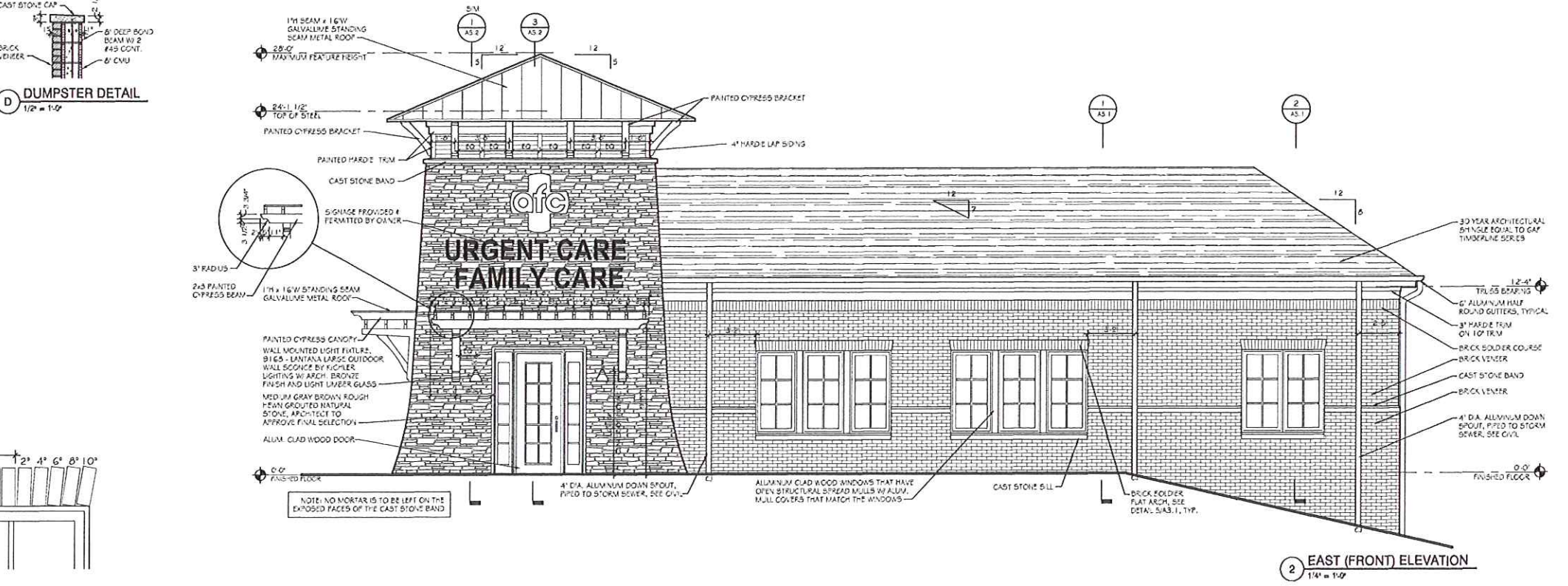
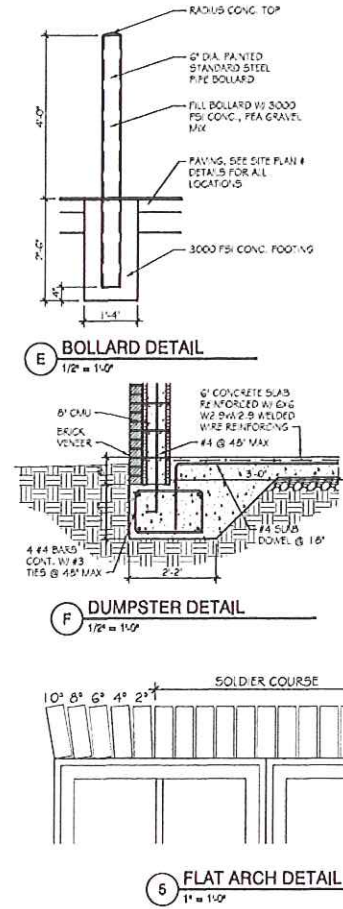
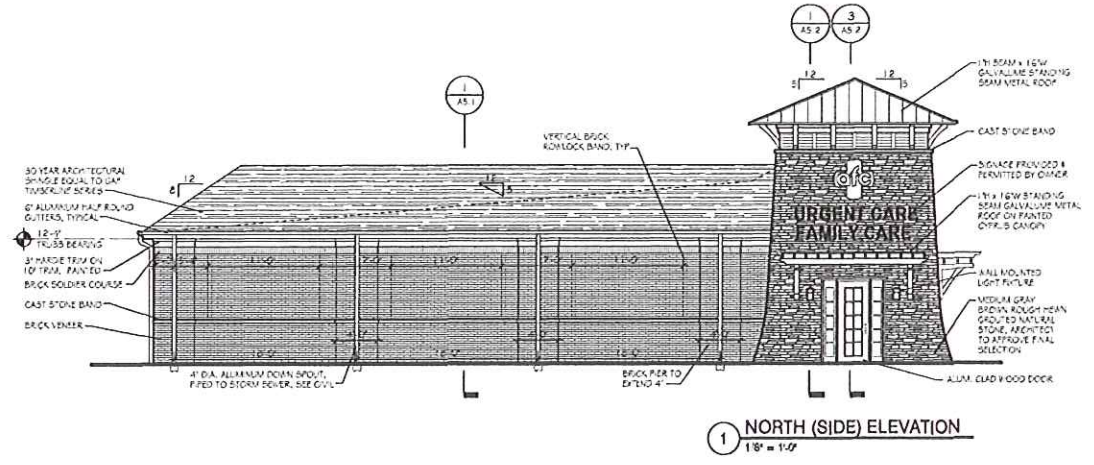
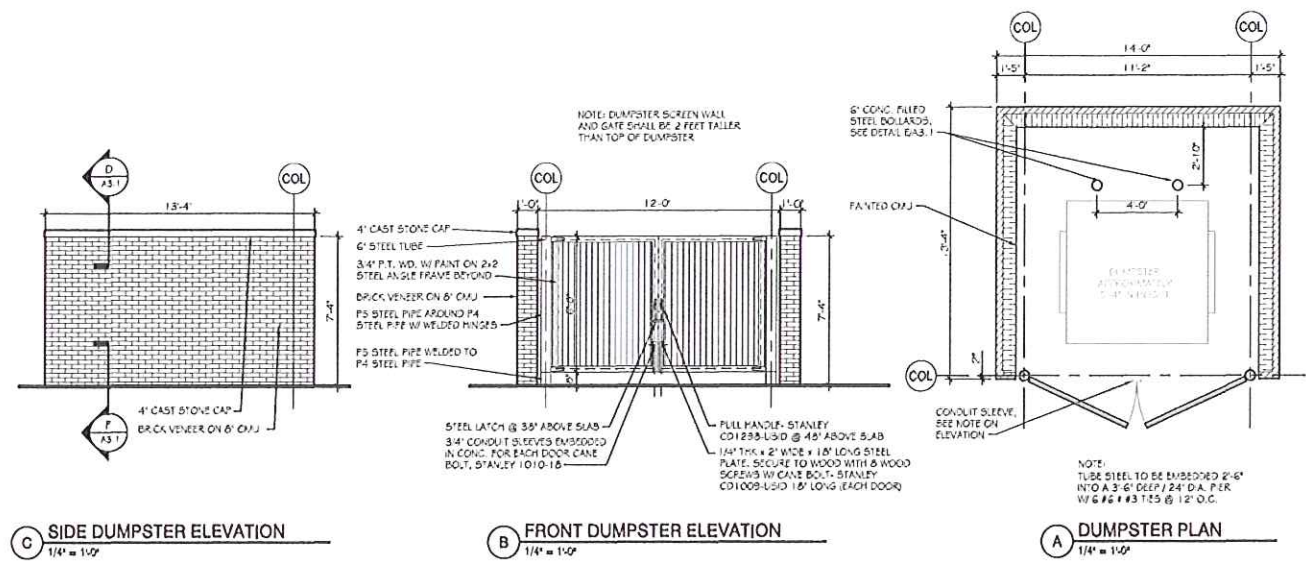


Phone 303.458.8233 Fax 303.458.8238
Email: a31@a31.com



11/01/2012

© 2012 A31 Architecture, Inc.
Design, design concepts and written materials shall not be used or reproduced in whole or part in any form or format without prior written consent of A31 Architecture, Inc.
All discrepancies in the construction drawings and / or specifications not brought to the architect's attention during the bid or pricing phase of the project shall become subject to the interpretation of the architect during the construction process and shall not be grounds for a change order of any kind.



A NEW OFFICE FOR
AMERICAN FAMILY CARE
HARDSCRABBLE ROAD
ROSOWELL, GEORGIA

REVISIONS:

DATE: 11/1/2012

PROJECT NUMBER: 1204

SHEET NAME: EXTERIOR ELEVATIONS

SHEET NUMBER:

A3.1